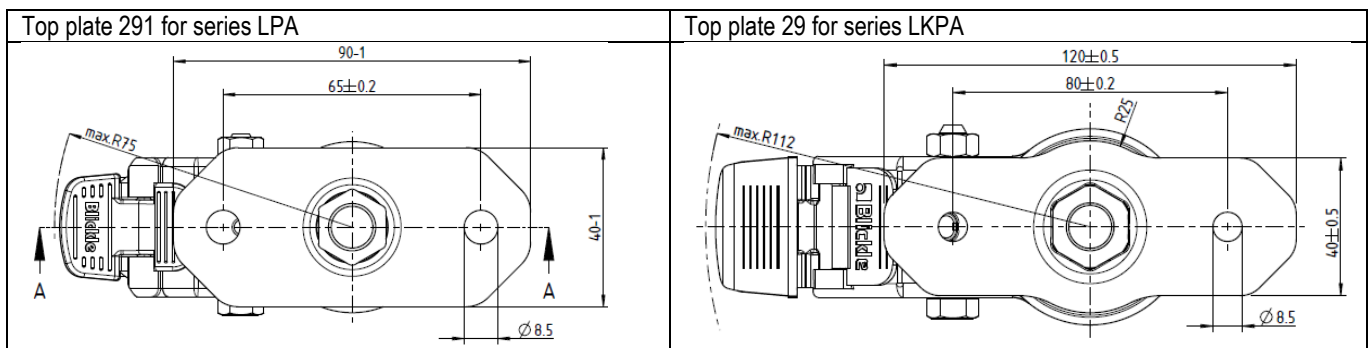


Supplement of the product range     Technical modification     Competitor information

## Aluminium profile castors, with top plate

### 1. Description

Many companies have aluminium racks in their plant equipment, which is why we have decided to introduce our castor solutions specially designed for aluminium profiles. The adapted top plates make them ideal for applications on aluminium profiles with a grid size of at least 40x40 mm. Using suitable slot nuts with M8 thread, that can be inserted into the aluminium profile as well as threaded bolts, the castors can be mounted on the profile. The top plate ensures longer durability and greater stability compared to the back hole.



### The following advantages result from the product range expansion:

- Simple & fast installation on existing aluminium profile application concepts
  - Slot nuts which serve as a holder in the profile must be procured by the customer.
- Connection possible diagonally across the corner due to chamfered corners or longitudinally on the profile due to narrow design
- A special short top plate has been developed for the LPA series to guarantee the function of the plastic brake lever.
- Cost-effective alternative to externally procured adapter plates for the aluminium profiles



### 2. Affects

Swivel castors	Fixed castors	Swivel castors with "stop-fix" brake	Wheel Ø [mm]	Wheel width [mm]	Load capacity [kg]	Bearing type	Total height [mm]	Plate size [mm]	Bolt hole spacing [mm]	Bolt hole Ø [mm]	Offset swivel castor [mm]
<b>LPA/LKPA-TPA series</b>											
LPA-TPA 75KF-291	BKA-TPA 75KF-29 *	LPA-TPA 75KF-291-FI	75	25	75	ball bearing (C)	100	90 x 40	65	8,5	29
LKPA-TPA 80KF-29	BKPA-TPA 80KF-29	LKPA-TPA 80KF-29-FI	80	32	120	ball bearing (C)	111	120 x 40	80	8,5	40
LKPA-TPA 101KF-29	BKPA-TPA 101KF-29	LKPA-TPA 101KF-29-FI	100	32	120	ball bearing (C)	136	120 x 40	80	8,5	40
LKPA-TPA 126KF-29	BKPA-TPA 126KF-29	LKPA-TPA 126KF-29-FI	125	32	120	ball bearing (C)	161	120 x 40	80	8,5	40
<b>LPA/LKPA-PATH series</b>											
LPA-PATH 75KF-291	BKA-PATH 75KF-29 *	LPA-PATH 75KF-291-FI	75	25	75	ball bearing (C)	100	90 x 40	65	8,5	29
LKPA-PATH 80KF-29	BKPA-PATH 80KF-29	LKPA-PATH 80KF-29-FI	80	32	120	ball bearing (C)	111	120 x 40	80	8,5	40
LKPA-PATH 101KF-29	BKPA-PATH 101KF-29	LKPA-PATH 101KF-29-FI	100	32	120	ball bearing (C)	136	120 x 40	80	8,5	40
LKPA-PATH 126KF-29	BKPA-PATH 126KF-29	LKPA-PATH 126KF-29-FI	125	32	120	ball bearing (C)	161	120 x 40	80	8,5	40
<b>LKPA-POES series</b>											
LKPA-POES 102KF-29-SG	BKPA-POES 102KF-29-SG	LKPA-POES 102KF-29-FI-SG	100	32	120	ball bearing (C)	136	120 x 40	80	8,5	40
LKPA-POES 127KF-29-SG	BKPA-POES 127KF-29-SG	LKPA-POES 127KF-29-FI-SG	125	32	120	ball bearing (C)	161	120 x 40	80	8,5	40

\* Fixed castors with plate size 120 x 40 mm and bolt hole spacing 80 mm

Electrically conductive version for series PATH, TPA

### 3. Date

Immediately